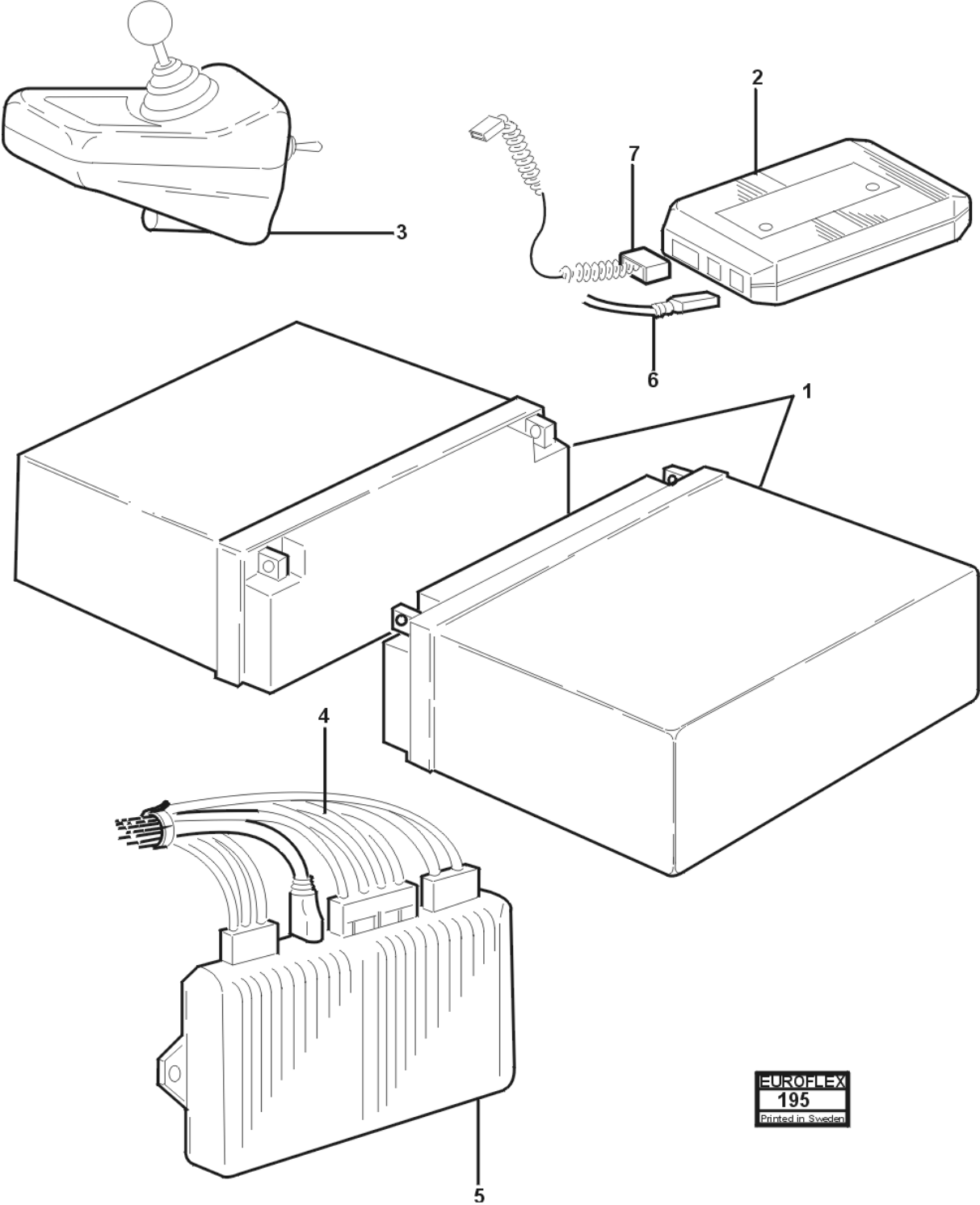


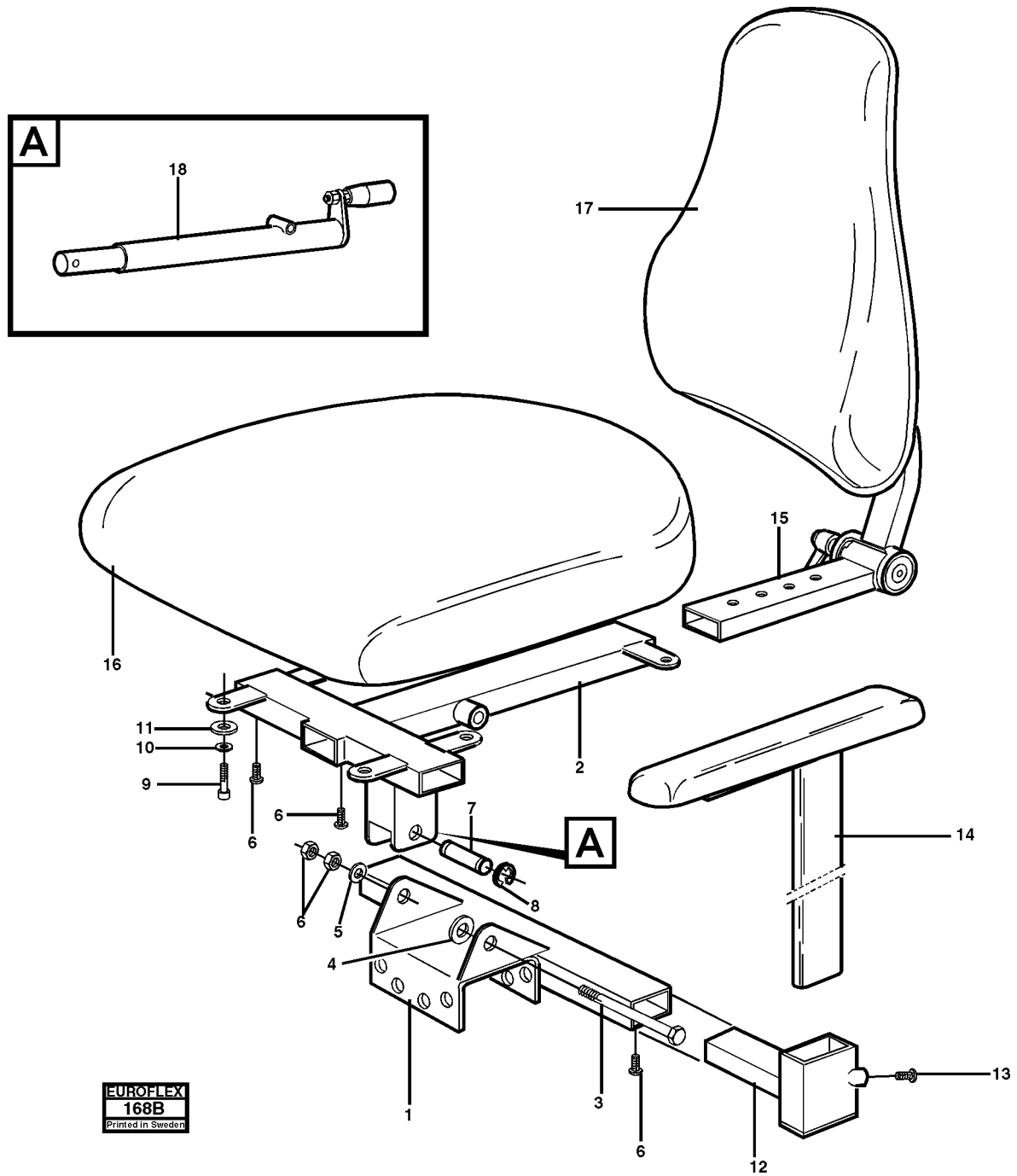
RESERVDELSLISTA Miniflex 500 ABC



EUROFLEX
195
Printed in Sweden

RvS Euroflex AB
Box 1179
141 24 Huddinge
Tel: 08 449 58 00 Fax 08 740 40 18

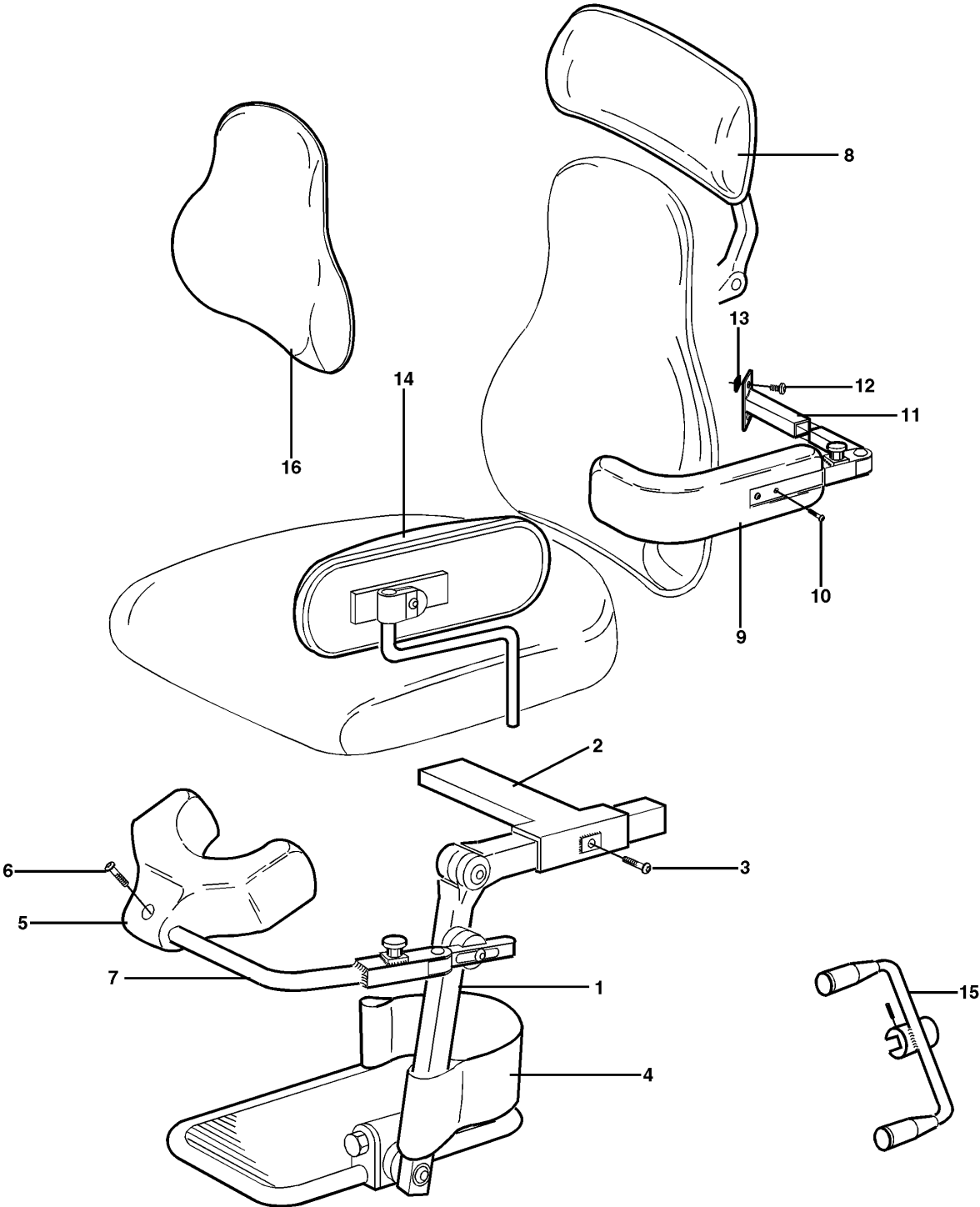
RESERVDELSLISTA



RESERVDELSLISTA

| UTGÅVA ISSUE 1/01 | | ABC SITSENHET | ABC SEAT UNIT | BILD NR. 168B PICTURE NO. |
|----------------------|-------------------|---------------------------|--------------------|------------------------------|
| Pos. Fig. | Art.nr Part.nr | Benämning | Description | Anmärkning Notes |
| 1. | 674101-3000 | Sittkryss ställdonsenhet | Seat cross lower | |
| 2. | 674101-3001 | Sittkryss sitsdel | Seat cross upper | |
| 3. | 674101-3002 | Tiltaxel | Tilt axle | |
| 4. | 7bussning8,2x1,8 | Nylonbussning | Nylon bushing | 8,2x1,8x7,5 |
| 5. | 7brb-8,4x16 | Planbricka M8x1,8 | Washer M8x1,8 | |
| 6. | 7KL-6-8 | Låsmutter mutter M8 | Lock nut M8 | |
| 7. | 674101-3004 | Ledaxel främre | Tilt axle front | |
| 8. | 7rs8-stål | Spårryttare 8mm | Lock ring | |
| 9. | 7mc6s-6x16 | Skruv mc6s M6x16 ins. | Screw M6x16 | |
| 10. | 7fbb-6,1 | Fjäderbricka 6,1x11,8 | Spring washer | 6,1x11,8 |
| 11. | 7brb-6,4x12 | Planbricka 6,4x12x1,6 | Washer | 6,4x12x1,6 |
| 12. | 634001-4012 | Armstödshöj,bredd | Armrest mounting | |
| 13. | 7k6s-8x12-sk | Skruv k6s M8x12 kullr.ins | Screw M8x12 | |
| 14.a | 634001-4012 | Armstödsplatta svart | Arm rest. Black | |
| 14.b | 634001-4010 | Armstödsstolpe | Arm rest mounting | |
| 15.a | 674001-6000 | ryggstolpe komplett | Back rest mounting | Cmpl. |
| 15.b | 674001-6017 | Ryggstolpe övre del std. | Back rest mounting | upper |
| 15.c | 674001-6009 | Ryggstolpe övre del lång | Back rest mounting | lower |
| 16.a | 374250-3000 | Sits 32x36 grön ABC | Seat 32x36 green | |
| 16.b | 374150-3000 | Sits 36x40 grön ABC | Seat 36x40 green | |
| 17.a | 374150-6100 | Rygg 28x20 grön ABC | Back rest 28x20 | green |
| 17.b | 374150-6000 | Rygg 32x20 grön ABC | Back rest 32x20 | green |
| 17.c | 374250-6100 | Rygg 28x33 grön ABC | Back rest 28x33 | green |
| 17.d | 374250-6000 | Rygg 32x35 grön ABC | Back rest 32x35 | green |
| 17.e | 374250-6200 | Rygg 31x42 grön ABC | Back rest 31x42 | green |
| 18. | 674001-3005 | Vev sitstilt | Crank | |
| 19. | 7wn500-8x30 | Låsspak wn500 65-M8x30 | Lock handle | |
| | | | | |
| | | | | |
| | | | | |
| | | | | |
| | | | | |
| | | | | |
| | | | | |
| | | | | |
| | | | | |
| | | | | |
| | | | | |
| | | | | |
| | | | | |

RESERVDELSLISTA



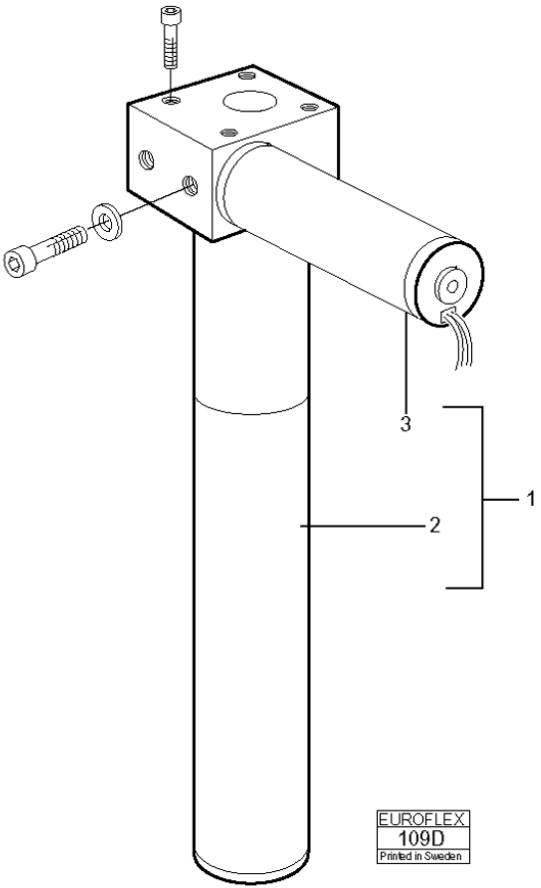
EUROFLEX
169
Printed in Sweden

RvS Euroflex AB
Box 1179
141 24 Huddinge
Tel: 08-449 58 00 Fax. 08-740 40 18

RESERVDELSLISTA

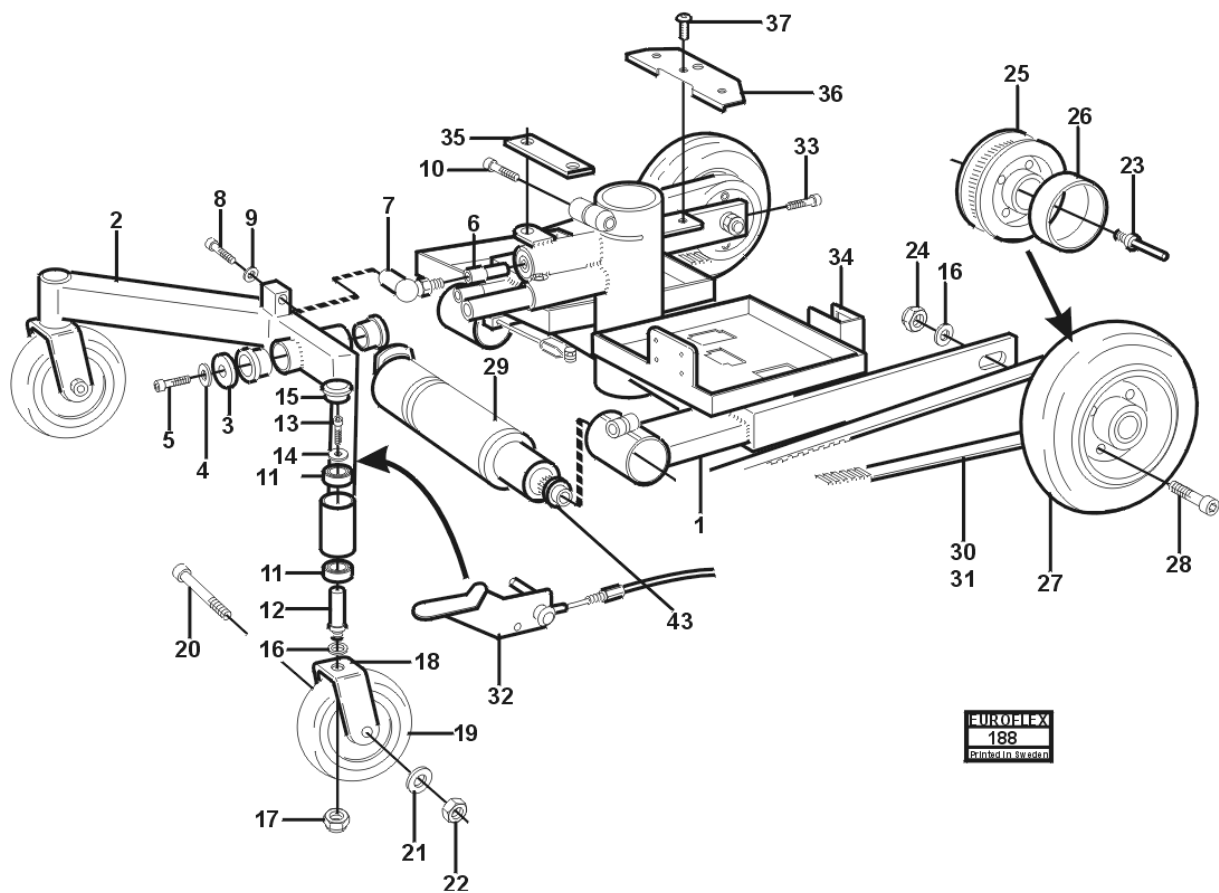
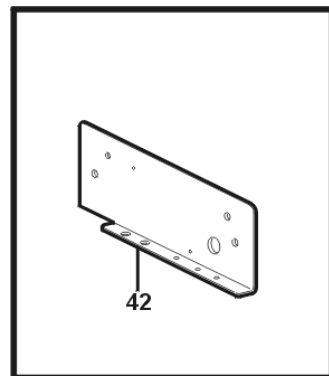
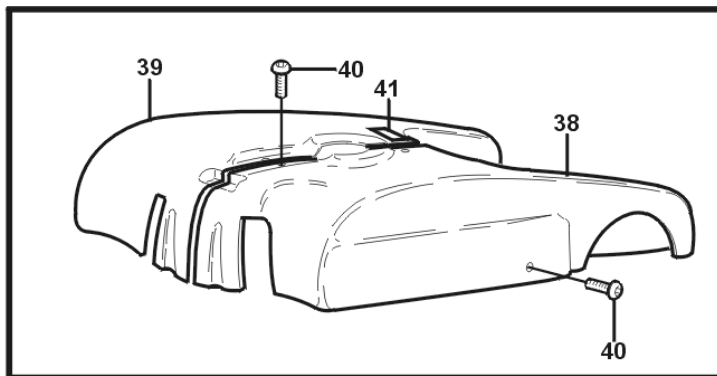
| UTGÅVA ISSUE 1/01 | | ABC TILLBEHÖR | ABC OPTION | BILD NR. 169 PICTURE NO. |
|----------------------|-------------------|------------------|-------------------|-----------------------------|
| Pos. Fig. | Art.nr Part.nr | Benämning | Description | Anmärkning Notes |
| 1. | 274001-2000H | Benstöd Höger | Leg rest Right | |
| 1. | 274001-2000V | Benstöd Vänster | Leg rest Left | |
| 2. | 674001-2001 | Benstödsfäste | Leg rest mounting | |
| 3. | 7K6S-8x12 | Skruv M8x12 | Screw M8x12 | |
| 4. | 634001-2103 | Hälkappa | Heel belt | |
| 5. | 274001-4300 | Knästopp | Angle stop | |
| 6. | 7K6S-8x12 | Skruv M8x12 | Screw M8x12 | |
| 7. | 274001-4300 | Fäste | Mounting | |
| 8. | 274001-4700 | Huvudstöd | Head rest | |
| 9. | 274001-4600 | Bålstöd | Trunk support | |
| 10 | 7F6S-8x16 | Skruv M8x16 | Screw M8x16 | |
| 11 | 674001-4600 | Fäste Bålstöd | Mounting | |
| 12 | 7K6S-8x12 | Skruv M8x12 | Screw M8x12 | |
| 13 | 7ML4M-8 | Mutter | Nut | |
| 14 | 274050-4500 | Sidostöd | Side support | |
| 15 | 684001-1110 | Fotbroms | Foot brake pedal | |
| | | | | |
| | | | | |
| | | | | |
| | | | | |
| | | | | |
| | | | | |
| | | | | |
| | | | | |
| | | | | |
| | | | | |
| | | | | |
| | | | | |
| | | | | |
| | | | | |
| | | | | |

RESERVDELSLISTA



RvS Euroflex AB
Box 1179
141 24 Huddinge
Tel: 08 449 58 00 Fax 08 740 40 18

RESERVDELSLISTA



EUROFLEX
188
Gambstad, Sweden

RvS Euroflex AB
Box 1179
141 24 Huddinge
Tel: 08 449 58 00 Fax 08 740 40 18

RESERVDDELSLISTA

| UTGÅVA ISSUE 1/01 | | MINIFLEX500 CHASSI | MINIFLEX500 CHASSIS | BILD NR. 188 PICTURE NO. |
|----------------------|-------------------|------------------------------|----------------------------|-----------------------------|
| Pos. Fig. | Art.nr Part.nr | Benämning | Description | Anmärkning Notes |
| 1. | 659001-1000 | Chassi 500 | Chassis 500 series | |
| 2 | 358001-7000 | Baksving | Level arm | |
| 3 | 659101-2001 | Distansbricka | Spacer washer | |
| 4 | 7FBB-10,2 | Fjäderbricka 10,2 | Spring washer | FBB10,2 |
| 5 | 7MC6S-10*30 | Skruv M10*30 | Screw M10x30 | MC6S-10x30 |
| 6 | 659101-2003 | Bussningsaxel | Bushing shaft | |
| 7 | 7VINKL-AS16 | Vinkellänk HEYD | Togle link | |
| 8 | 7MC6S-10*30 | Skruv M10*30 | Screw M10x30 | MC6S-10x30 |
| 9 | 7FBB-10,2 | Fjäderbricka 10,2 | Spring washer | FBB10,2 |
| 10 | 7M6S-8*35 | Skruv M8*35 | Screw M8x35 | M6S-8x35 |
| 11 | 7K6001-2Z | Kullager 6001-2Z | Ball bearing | 6001-2Z |
| 12 | 669001-1102 | Fästtapp alu. bygel.låg | Anchor pin | |
| 13 | 7MC6S-6*16 | Skruv M6*16 | Screw M6x16 | MC6S-6x16 |
| 14 | 7BRB-M6*18 | Planbricka 6,4*18*1,6 | Washer 6,4x18x1,6 | BRB-6x18 |
| 15 | 7SFL-31 | Ändavslutare 32 | Plastic plug | |
| 16 | 7BRB-13,5*24 | Planbricka 13,5*24*2,5 | Washer 13,5x24 | BRB-13,5x24 |
| 17 | 7DIN-12*1,25 | Mutter M12*1,25 | Nut M12x1,25 | DIN-12x1,25 |
| 18 | 669201-7000 | Länkhjulsgaffel bak | Castor | |
| 19 | 7HJUL-125 | Hjul 125 grå bana | Wheel 125mm grey | |
| 20 | 7M6S-8*60 | Skruv M8*60 | Screw M8x60 | M6S-8x60 |
| 21 | 7BRB-8,4*16 | Planbricka 8,2*16*1,6 | Washer 8,4x16 | BRB-8,4x16 |
| 22 | 7KL-6-8 | Låsmutter KL 6 M8 | Nut M8 | KL-6-8 |
| 23 | 659101-2000 | Hjulaxel | Wheel axle | |
| 24 | 7KL-6-12 | Låsmutter KL 6 M12 | Nut M12 | KL-6-12 |
| 25 | 659101-1101 | Drivremshjul Z=60 | transmission belt wheel | Z=60 |
| 26 | 659101-2010 | Distansrör drivhjul | Spacer | |
| 27 | 759201-7000hjul | Hjul 200*50 SUPO | Wheel 200x50 SUPO | |
| 28 | 7MC6S-6-60 | Skruv M6*60 | Screw M6x60 | MC6S-6x60 |
| 29A | 259001-1100H | Drivmotor ink.vxl.&broms hö. | Drive unit right side | |
| 29B | 259001-1100V | Drivmotor ink.vxl.&broms vä. | Drive unit left side | |
| 30 | 659101-1003 | Drivrem HTD 980 5M (lång) | Transmission belt long | HTD 980 5M |
| 31 | 659101-1002 | Drivrem HTM 980 5M (kort) | Transmission belt | HTM 980 5M |
| 32 | 669201-1700 | Hantag bromsfrigörare | Declutching level | |
| 33 | 7MC6S-5*35 | Skruv M5*35 | Screw M5x35 | MC6S-5x35 |
| 34 | 659101-1220 | Fäste tidmätare | Mounting/ hour meter | |
| 35 | 659001-1002 | Kåpfäste bakre | Mounting plate rear | |
| 36 | 659101-1001 | Kåpfäste främre | Mounting plate front | |
| 37 | 7K6S-8*12-SK | Skruv M8*12 | Screw M8x12 | K6S-8x12-SK |
| 38 | 259201-9000V | Kåpa svart vänster | Cover left | |
| 39 | 259201-9000H | Kåpa svart höger | Cover right | |
| 40 | 7K6S-8*12-SK | Skruv M8*12 | Screw M8x12 | K6S-8x12-SK |
| 41 | DEKAL | Automatsäkring | Transfer Automatic | fuse |
| 42 | 669001-1001 | Fästplåt PG-powermodul | Mounting Powerm. | |